



威拓超声波设备

威拓—专注塑料焊接

Weituo focus on Plastic Welding

标准台式超声波焊接机

Standard desktop ultrasonic welding machine



- 1、超声波焊接机可以升降机身。调模方便快捷；
- 2、超声波焊接机调频及频率自动补偿电路；
- 3、超声波焊接机整机重力铸造，数控机床加工，精度度高；
- 4、超声波焊接机CNC加工球形振动子固定座，细牙螺丝水平微调，水平调整精度更高。

- 1.The ultrasonic welding machine can raise and lower the body, adjust the mold conveniently and quickly
- 2.The ultrasonic welding machine with the functions of adjusting frequency and frequency automatic compensation circuit.
- 3.The ultrasonic welding machine is gravity-casted, CNC machined and high precision.
- 4.The ultrasonic welding machine's CNC machined spherical vibrator fixed seat, fine screw horizontal micro-adjustment, and higher horizontal adjustment accuracy.

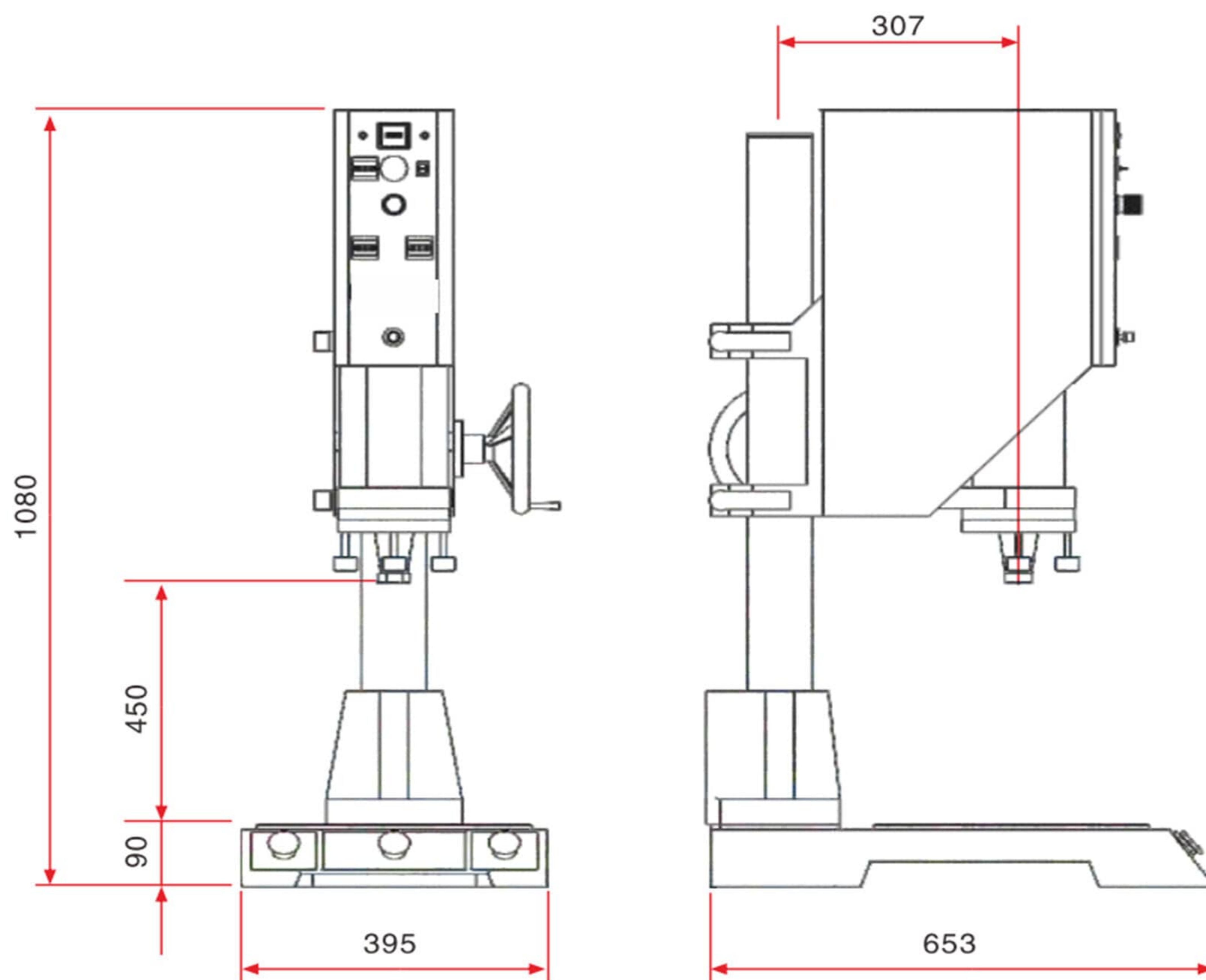
广泛应用于充电器、充电器插头、电源适配器、电子元器件外壳等。

It is widely used in chargers, charger plugs, power adapters, electronic component shells, etc.



2 D 数据

2D Data



规格参数

Specification parameters

机型 / Models	VW-2015 VW-2018 VW-1522 VW-1526
频率 / Frequency	200KHz 15KHz
工作行程 / Work schedule	75MM-125MM
外形尺寸 / Overall dimensions	L395MMxW653MMxH1080MM
重量 / Weight	100kg

地址: 江苏省徐州市新沂市经济开发区对外贸易加工产业园4号

Address: No.2-4, Foreign Trade Processing Industrial Park, Xinyi Economic Development Zone, Xinyi, Xuzhou, Jiangsu Province, China

销售热线: 徐总 15952283577 邮箱: 15952283577@163.com, 孙总: 18352528887 邮箱: cybhjj@163.com

Sales Hotline: Mr Xu: +8615952283577 e-mail: 15952283577@163.com, Mr Sun: +8618352528887 e-mail: cybhjj@163.com

公司网站: <http://www.js-weituo.com>, <https://shop7182961h45088.1688.com>

The company website: <http://www.js-weituo.com>, <https://shop7182961h45088.1688.com>