



威拓超声波设备

威拓—专注塑料焊接

Weituo focus on Plastic Welding

超声波转盘焊接机

Ultrasonic rotary plate welding machine

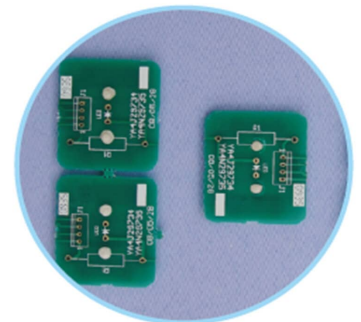
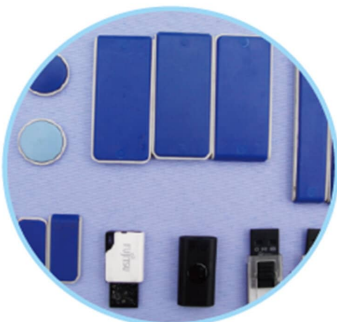


- 1、焊接效率高，能批量处理被焊接塑料件。
- 2、粘结牢固，不变形，不影响外观，不损坏被焊接物。
- 3、原装进口压电陶瓷换能器，输出强劲稳定。
- 4、自动转盘式多工位超声波塑焊机拥有PLC精密控制电路，自动过载保护系统。
- 5、采用台湾高精度分割器，无误差；采用数字码精控工关，1/100准确设定。
- 6、本机可选装机械手自动收料装置+输送线，大大提高了生产效率。

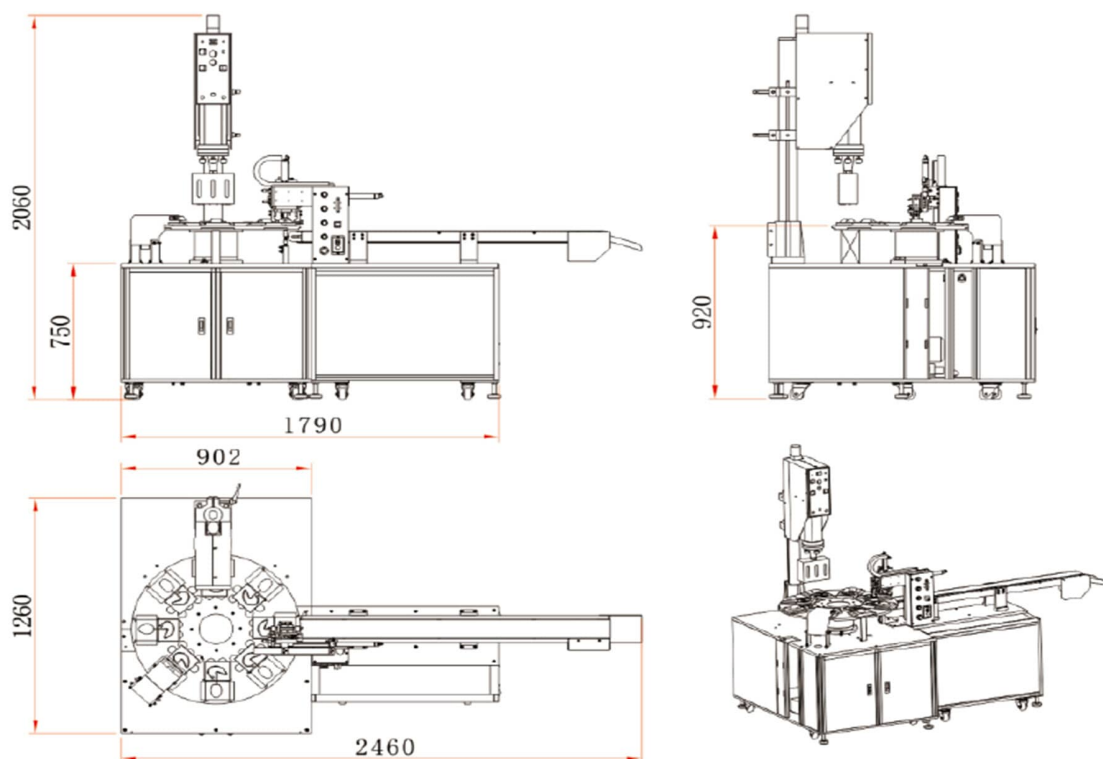
1. High welding efficiency, able to mass process welded plastic parts.
2. Bonding firmly, no deformation, no impact on appearance, no damage to the welded object.
3. Original imported piezoelectric ceramic transducer, strong and stable output.
4. Automatic turntable multi-station ultrasonic plastic welding machine has PLC precision control circuit and automatic overload protection system.
5. Taiwan high-precision splitter is adopted without error, digital code precision controlled is adopted, 1/100 accurate setting.
6. The machine can be equipped with machine hand automatic material receiving device + conveying line, which greatly improves the production efficiency.

广泛应用于U盘、电路板、小型灯罩、电子元器件等。

It is widely used in USB Flash Disk, circuit board, small lampshade, electronic components, etc.



2 D 数据 // 2D Data



规格参数 // Specification parameters

机型 / Models	VW-SD1526
频率 / Frequency	15KHz 30KHz
功率 / Power	2000W
焊接工位 / Welding station	4-8工位 (four to eight welding stations)
外形尺寸 / Overall size	L902mmxW1260mmxH2060mm
(选装自动取料长度2460mm)	Optional automatic material length 2460mm
重量 / Weight	300Kg

地址: 江苏省徐州市新沂市经济开发区对外贸易加工产业园4号

Address: No.2-4, Foreign Trade Processing IndustrialPark,Xinyi Economic Development Zone, Xinyi, Xuzhou, Jiangsu Province, China

销售热线: 徐总 15952283577 邮箱: 15952283577@163.com, 孙总: 18352528887 邮箱: cybhjj@163.com

Sales Hotline: Mr Xu: +8615952283577 e-mail: 15952283577@163.com, Mr Sun: +8618352528887 e-mail: cybhjj@163.com

公司网站: <http://www.js-weituo.com>, <https://shop7182961h45088.1688.com>

The company website: <http://www.js-weituo.com>, <https://shop7182961h45088.1688.com>